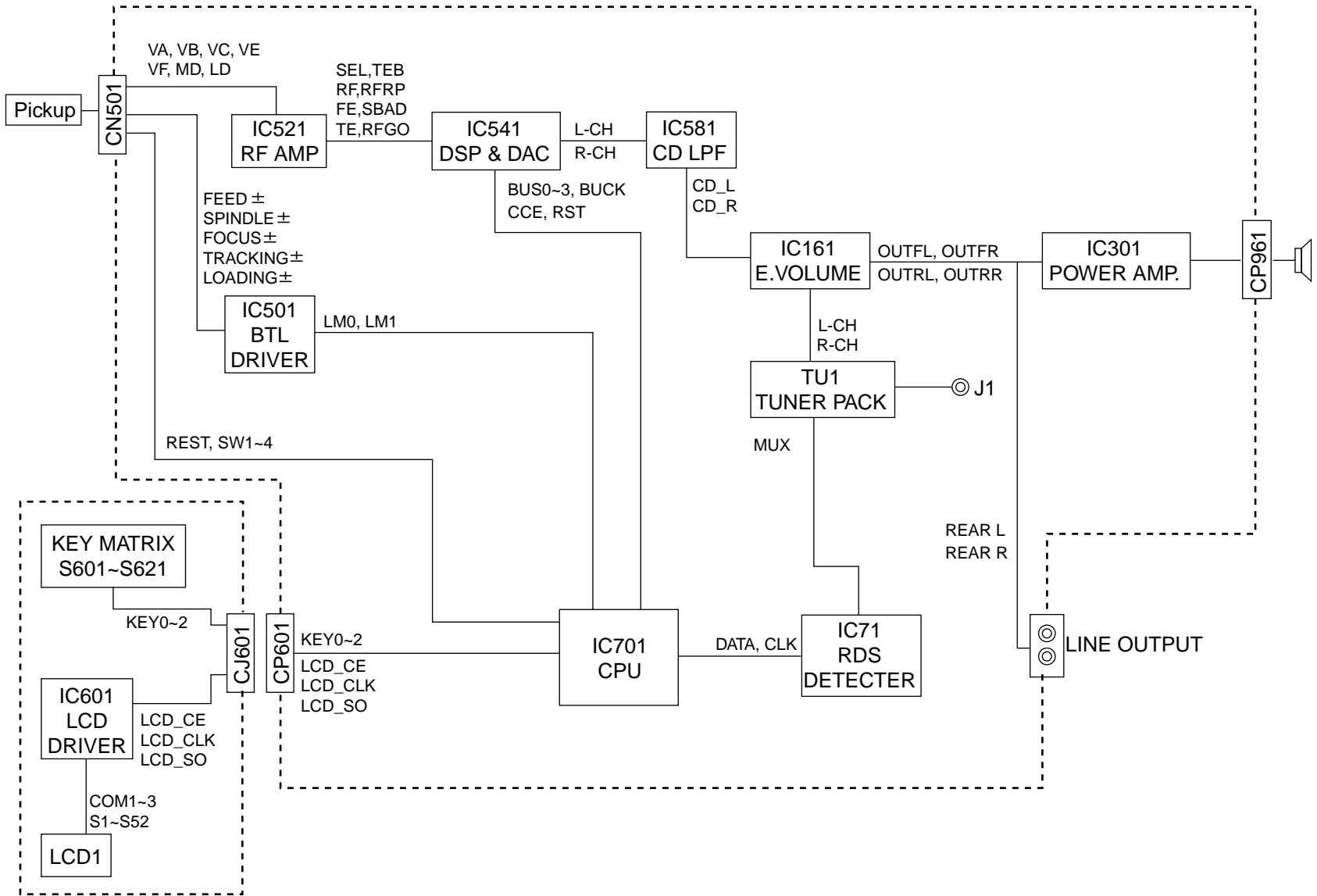


Block diagram

A

B

C

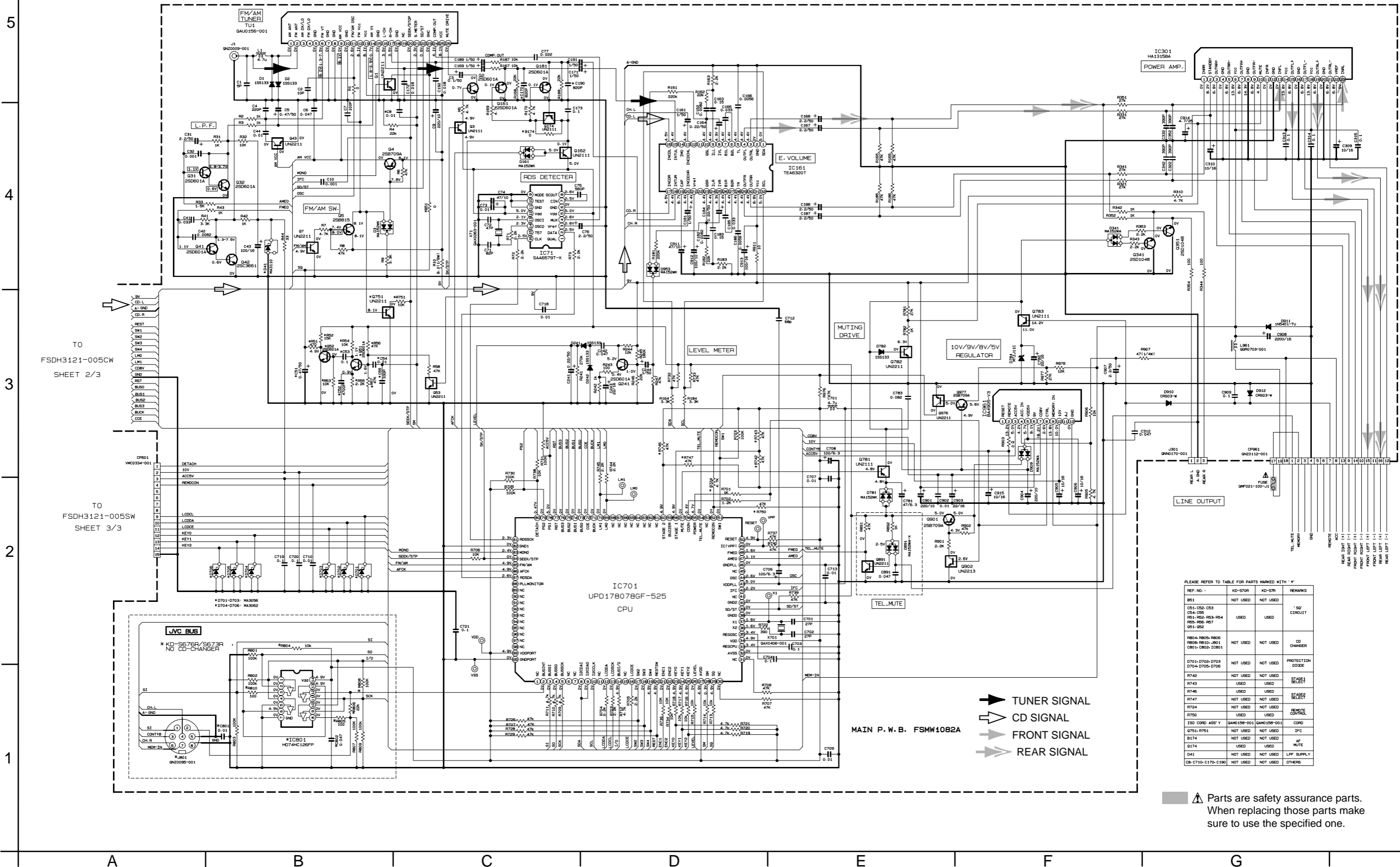


**< MEMO >**

# Standard schematic diagrams

## Main amp. section

- NOTES
1. VOLTAGES ARE DC-MEASURED WITH A DIGITAL VOLT METER WITHOUT INPUT SIGNAL CONDITION—FM MODE. □ AM MODE. ( ) CD MODE.
  2. UNLESS OTHERWISE SPECIFIED, ALL RESISTORS ARE 1/10W ±5% METAL GLAZE RESISTOR. ALL CAPACITORS ARE 50V OR 25V CERAMIC CAPACITOR. ALL RESISTANCE VALUES ARE IN OHM. ALL CAPACITANCE VALUES ARE IN UF(PpF) ALL E. CAPACITORS ARE SHOWN IN THE FORM OF CAPACITANCE(UF)/RATED VOLTAGE(V) TF — T. F. CAPACITOR



PLEASE REFER TO TABLE FOR PARTS MARKED WITH \* \*

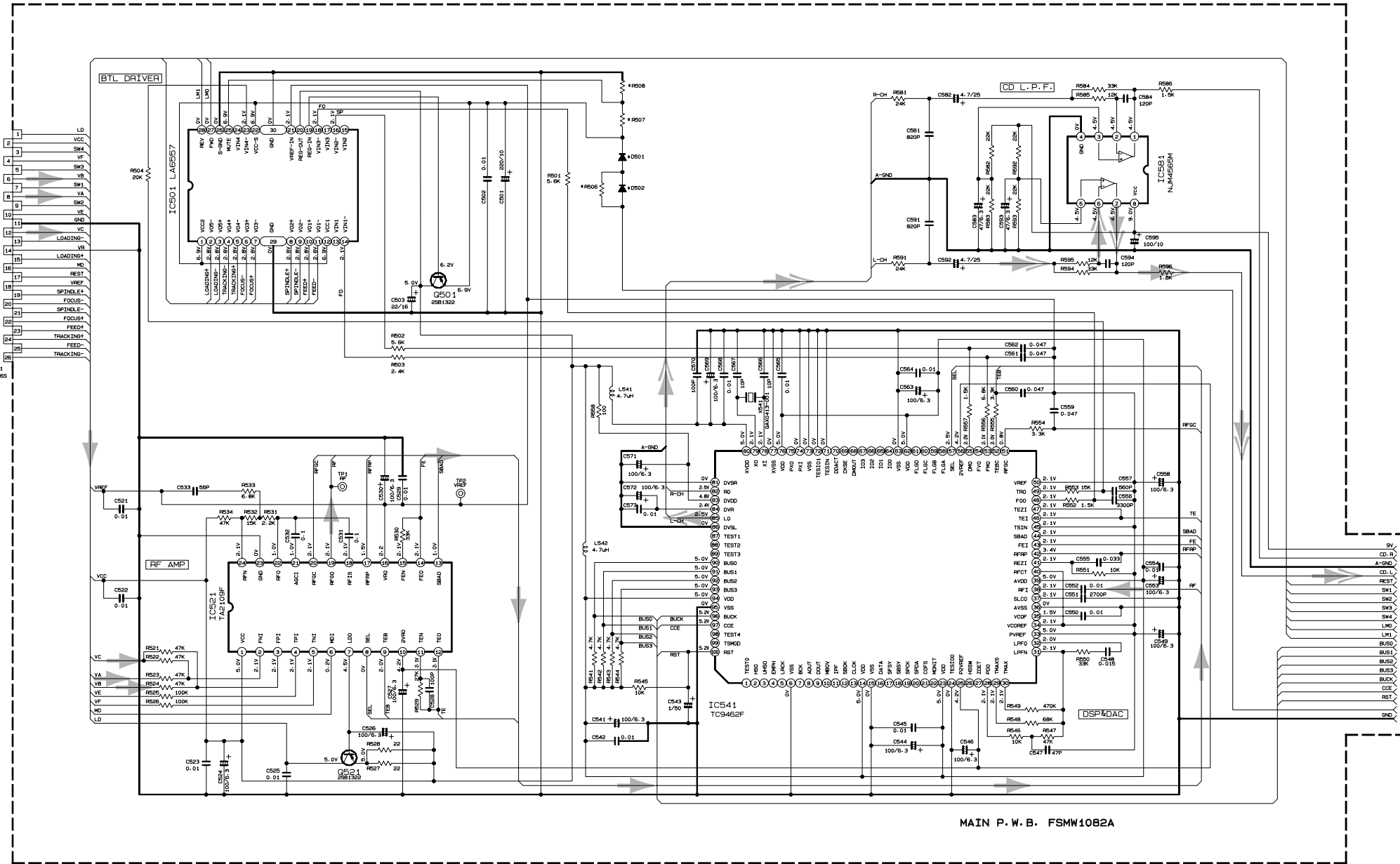
REF. NO.	KD-S7R	KD-S7R	REMARKS
B51	NOT USED	NOT USED	
C51, C52, C53	USED	USED	50V CIRCUIT
C54, C55	USED	USED	
R51, R52, R53, R54	USED	USED	
R55, R56, R57	USED	USED	
O51, O52	USED	USED	
R60-4, R60-5, R60-6	NOT USED	NOT USED	CD CHANGER
R60-8, R61-10, J60-1	NOT USED	NOT USED	
C60-1, C60-2, C60-3	NOT USED	NOT USED	
D70-1, D70-2, D70-3	NOT USED	NOT USED	PROTECTION DIODE
D70-4, D70-5, D70-6	NOT USED	NOT USED	
R7-2	NOT USED	NOT USED	STAGE1 SELECT
R7-3	USED	USED	
R7-5	USED	USED	STAGE2 SELECT
R7-6	USED	USED	
R7-7	NOT USED	NOT USED	
R7-8	NOT USED	NOT USED	
R7-9	NOT USED	NOT USED	REMOTE CONTROL
R7-10	USED	USED	
R7-11	USED	USED	
R7-12	USED	USED	
R7-13	USED	USED	
R7-14	USED	USED	
R7-15	USED	USED	
R7-16	USED	USED	
R7-17	USED	USED	
R7-18	USED	USED	
R7-19	USED	USED	
R7-20	USED	USED	
R7-21	USED	USED	
R7-22	USED	USED	
R7-23	USED	USED	
R7-24	USED	USED	
R7-25	USED	USED	
R7-26	USED	USED	
R7-27	USED	USED	
R7-28	USED	USED	
R7-29	USED	USED	
R7-30	USED	USED	
R7-31	USED	USED	
R7-32	USED	USED	
R7-33	USED	USED	
R7-34	USED	USED	
R7-35	USED	USED	
R7-36	USED	USED	
R7-37	USED	USED	
R7-38	USED	USED	
R7-39	USED	USED	
R7-40	USED	USED	
R7-41	USED	USED	
R7-42	USED	USED	
R7-43	USED	USED	
R7-44	USED	USED	
R7-45	USED	USED	
R7-46	USED	USED	
R7-47	USED	USED	
R7-48	USED	USED	
R7-49	USED	USED	
R7-50	USED	USED	
R7-51	USED	USED	
R7-52	USED	USED	
R7-53	USED	USED	
R7-54	USED	USED	
R7-55	USED	USED	
R7-56	USED	USED	
R7-57	USED	USED	
R7-58	USED	USED	
R7-59	USED	USED	
R7-60	USED	USED	
R7-61	USED	USED	
R7-62	USED	USED	
R7-63	USED	USED	
R7-64	USED	USED	
R7-65	USED	USED	
R7-66	USED	USED	
R7-67	USED	USED	
R7-68	USED	USED	
R7-69	USED	USED	
R7-70	USED	USED	
R7-71	USED	USED	
R7-72	USED	USED	
R7-73	USED	USED	
R7-74	USED	USED	
R7-75	USED	USED	
R7-76	USED	USED	
R7-77	USED	USED	
R7-78	USED	USED	
R7-79	USED	USED	
R7-80	USED	USED	
R7-81	USED	USED	
R7-82	USED	USED	
R7-83	USED	USED	
R7-84	USED	USED	
R7-85	USED	USED	
R7-86	USED	USED	
R7-87	USED	USED	
R7-88	USED	USED	
R7-89	USED	USED	
R7-90	USED	USED	
R7-91	USED	USED	
R7-92	USED	USED	
R7-93	USED	USED	
R7-94	USED	USED	
R7-95	USED	USED	
R7-96	USED	USED	
R7-97	USED	USED	
R7-98	USED	USED	
R7-99	USED	USED	
R7-100	USED	USED	

Parts are safety assurance parts. When replacing those parts make sure to use the specified one.

CD servo section

TO CD MECHA (BDL1089-001M)

TO FSDH3121-005TW SHEET 1/3



PLEASE REFER TO TABLE FOR PARTS MARKED WITH \* \*

REF. NO. *	KD-S7R	KD-S7R	REMARKS
D501	DSK10C	DSK10C	
D502	DSK10C	DSK10C	
R506	NOT USED	NOT USED	
R507	0	0	
R508	NOT USED	NOT USED	

➔ DIGITAL SIGNAL  
 ➔ ANALOG SIGNAL

5

4

3

2

1

A

B

C

2-4

D

E

F

G

H

■ LCD & key control section

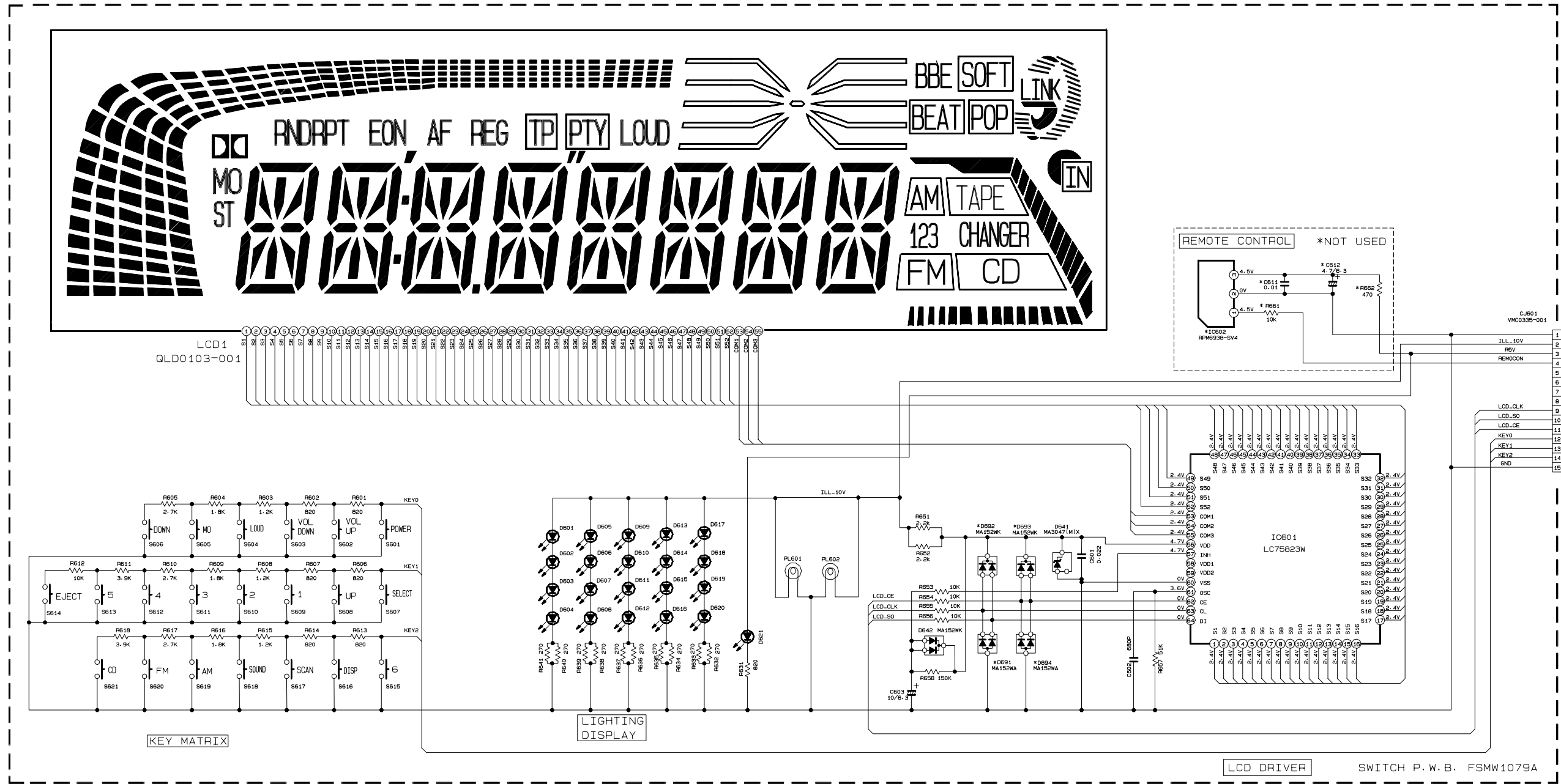
5

4

3

2

1



TO  
FSDH3121-005TW  
SHEET 1/3

FRONT CIRCUIT BOARD SECTION

PLEASE REFER TO TABLE FOR PARTS MARKED WITH \* \*

REF. NO. *	KD-S676R	KD-S673R	REMARKS
D621	SML-310LT/MN/-X	SML-310LT/MN/-X	POWER LED
IC602	NOT USED	NOT USED	REMOTE CONTROL
R601 - R620	LNJ308081/1-3/X	SML-310DT/KL/-X	F. PANEL TACT SWITCH
PL601-PL602	QLL0056-001	QLL0175-001	PILOT LAMP

A

B

C

D

E

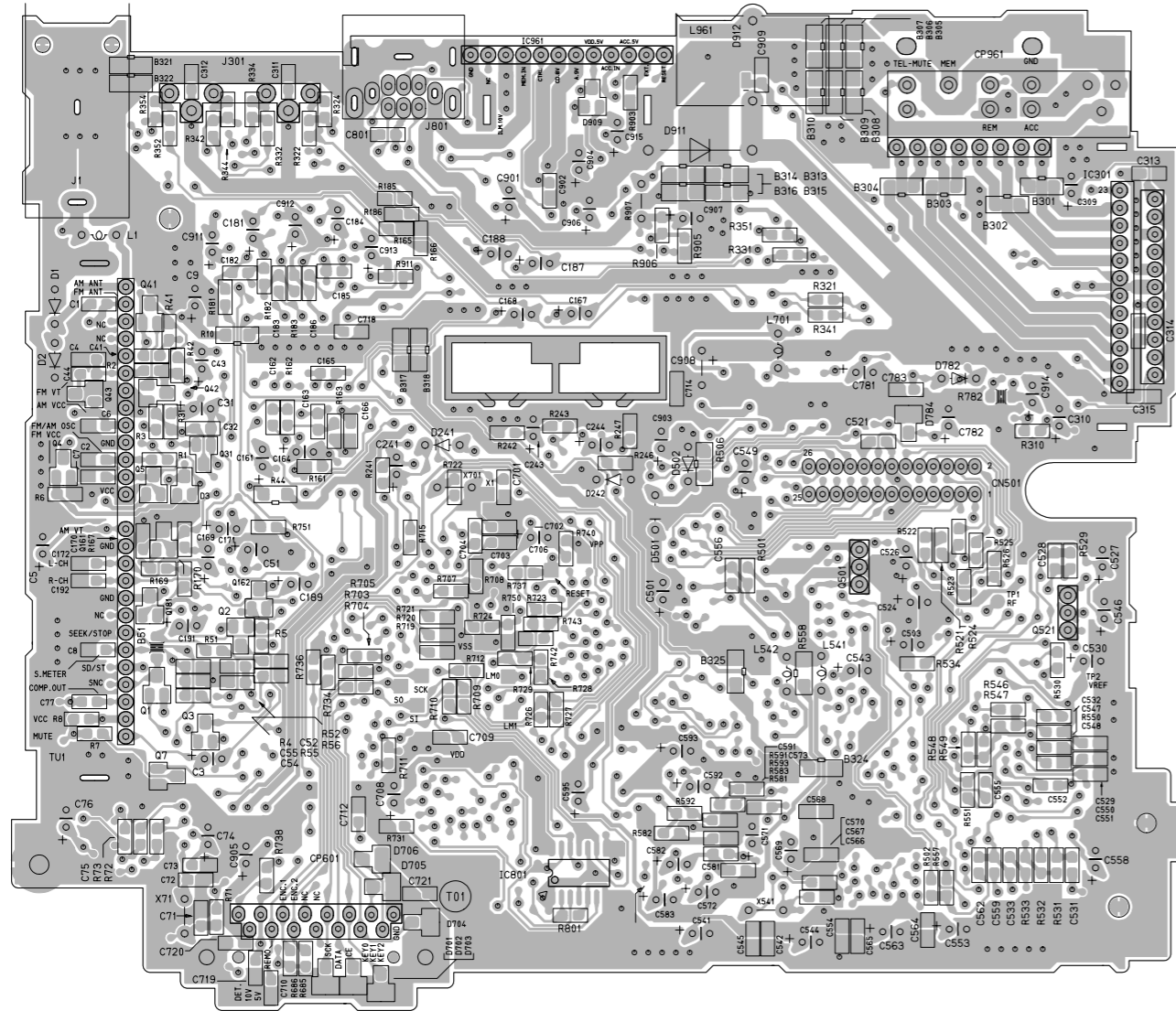
F

G

# Printed circuit boards

5

## ■ Main board



4

3

2

1

A

B

C

2-6

D

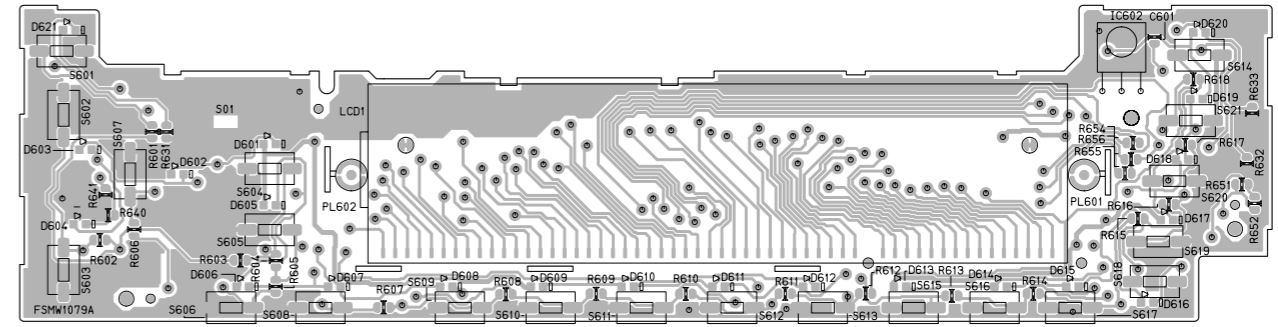
E

F

G

H

## ■ Switch board (Forward side)



## ■ Switch board (Reverse side)

